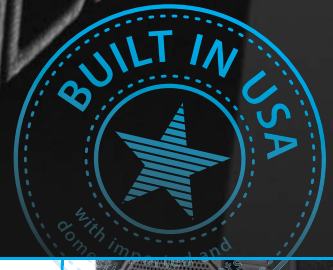




Truth in bass.

JL AUDIO®
BUILT IN USA



W6v3 ProWedge™

Since 1993, JL Audio W6 subwoofers have embodied the optimal combination of trade-offs required to reproduce exceptional in-car bass from very compact enclosures. The W6v3's are the third generation of the W6 pedigree, representing a giant leap forward in our quest for small box bass perfection.

These ProWedge™ systems incorporate our premium, U.S.-built W6v3 subwoofer drivers in quality, MDF-constructed, sealed enclosures that deliver incredibly smooth, powerful and articulate bass, at all listening levels.

Single driver models feature an ultra-compact design that allows unobtrusive placement in a wide range of vehicles. Dual subwoofer driver models feature individual

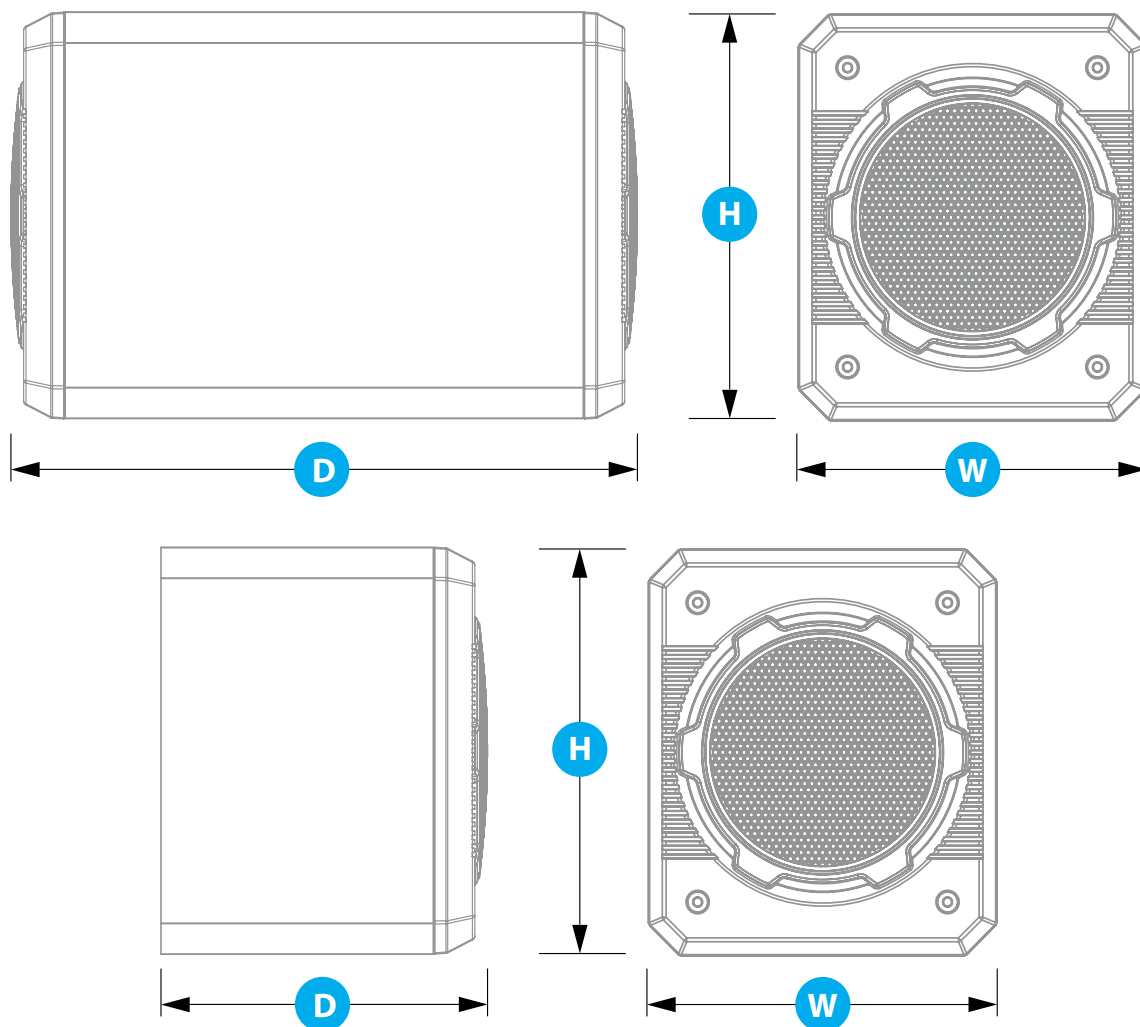
woofer chambers and an opposed driver configuration that effectively cancels vibration and movement of the enclosure.

All W6v3 ProWedge™ products are built in our Miramar, Florida factory from CNC-cut MDF and are finished in high-grade automotive carpet. Super-tough polymer grilles are installed, providing outstanding protection from loose cargo, and a very clean appearance. The dual woofer models add an attractive, embroidered "JL Audio - Built in USA" logo.

The compact size, superb sound quality and tough construction of these ProWedge™ systems are sure to make them best-sellers for many years to come.

Model	Driver(s)	Recommended RMS Amplifier Power*	Continuous Power Handling (Pt)	Impedance	Enclosure Type	Finish	Dimensions H x W x D
W6v3 ProWedge™ - Sealed							
CS110G-W6v3	One 10W6v3-D4	300W-600W	600W	2Ω	Sealed	State-of-the-art CNC construction, polymer grilles, black high-grade automotive carpet	14.00 in. x 12.125 in. x 11.25 in. 356 mm x 308 mm x 286 mm
CS112G-W6v3	One 12W6v3-D4	300W-600W	600W	2Ω	Sealed	State-of-the-art CNC construction, polymer grilles, black high-grade automotive carpet.	16.00 in. x 14.125 in. x 11.625 in. 406 mm x 359 mm x 295 mm
CS210G-W6v3	Two 10W6v3-D4	600W-1200W	1200W	Dual 8Ω	Sealed, with opposed drivers	State-of-the-art CNC construction, polymer grilles, JL Audio Built in USA embroidered logo, black high-grade automotive carpet	14.00 in. x 12.125 in. x 21.625 in. 356 mm x 308 mm x 549 mm
CS212G-W6v3	Two 12W6v3-D4	600W-1200W	1200W	Dual 8Ω	Sealed, with opposed drivers	State-of-the-art CNC construction, polymer grilles, JL Audio Built in USA embroidered logo, black high-grade automotive carpet	16.00 in. x 14.125 in. x 22.50 in. 406 mm x 359 mm x 572 mm

NOTE: Illustration may not be to scale.



©2014 JL Audio, Inc. • "JL Audio", "Ahead of the Curve" and the JL Audio logo are registered trademarks of JL Audio, Inc. Due to our policy of continuous product development, all specifications are subject to change without notice.

www.jlaudio.com

10369 North Commerce Parkway • Miramar, Florida • 33025 • USA

SKU#97211 12-2013
Printed in U.S.A.