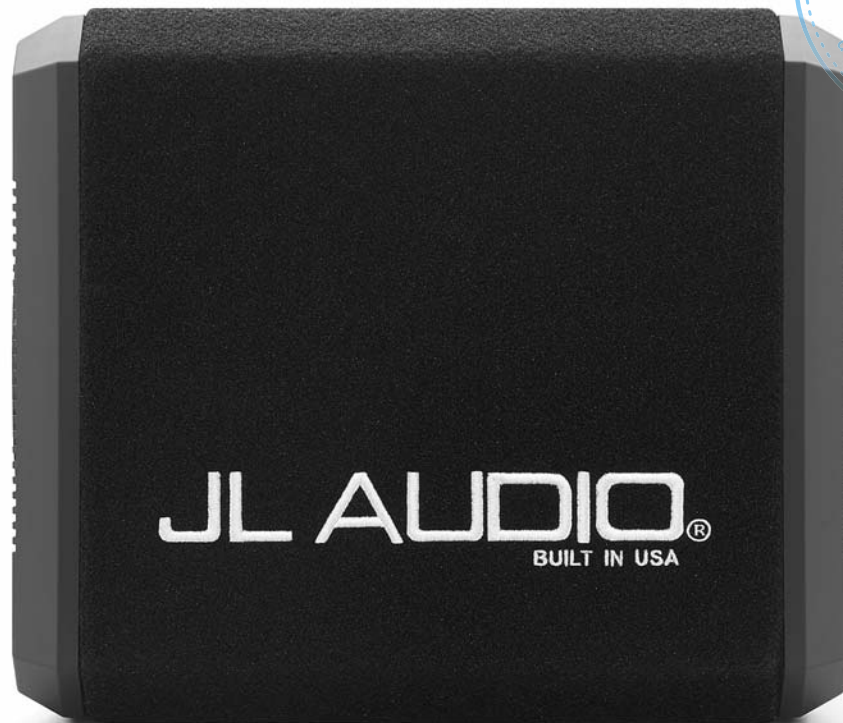
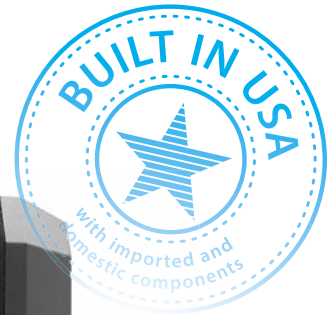




Ahead of the Curve®

Boxy goodness.



## TW3 ProWedge™

Everybody wants lots of bass that takes up little space, but making this happen always presents a technical challenge, one that JL Audio has been happily responding to for many years.

These TW3 ProWedge™ systems are our latest entry into the compact subwoofer challenge, incorporating our ultra-thin, patented-technology, U.S.-built TW3 subwoofer drivers in quality, MDF-constructed, sealed enclosures. The outstanding excursion capability and small-box prowess of the TW3's gives these small subwoofer systems a huge performance edge.

Two single driver models feature a design that allows unobtrusive placement in a wide range of vehicles. The dual subwoofer driver models

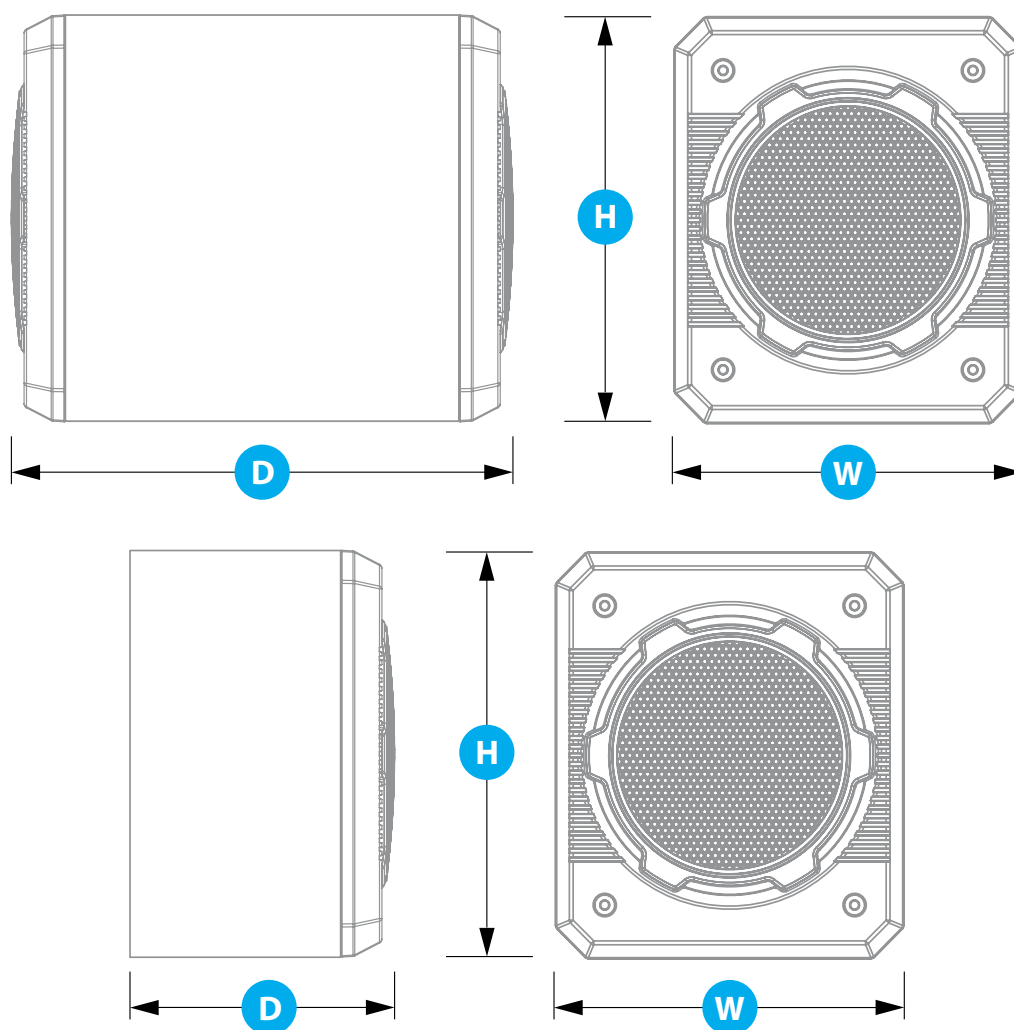
feature individual driver chambers and an opposed driver configuration that effectively cancels vibration and movement of the enclosure.

All TW3 ProWedge™ products are built in our Miramar, Florida factory from CNC-cut MDF and are finished in high-grade automotive carpet. Super-tough polymer grilles are installed, providing outstanding protection from loose cargo, and a very clean appearance. The dual woofer models add an attractive, embroidered "JL Audio - Built in USA" logo.

The compact size, superb sound quality and tough construction of these ProWedge™ systems are sure to make them best-sellers for many years to come.

Model	Driver(s)	Recommended RMS Amplifier Power*	Continuous Power Handling (Pt)	Impedance	Enclosure Type	Finish	Dimensions H x W x D
<b>TW3 ProWedge™ - Sealed</b>							
CS110G-TW3	One 10TW3-D4	200W-400W	400W	2Ω	Sealed	State-of-the-art CNC construction, polymer grilles, black high-grade automotive carpet	14.00 in. x 12.125 in. x 9.125 in. 356 mm x 308 mm x 232 mm
CS112G-TW3	One 12TW3-D4	200W-400W	400W	2Ω	Sealed	State-of-the-art CNC construction, polymer grilles, black high-grade automotive carpet	16.00 in. x 14.125 in. x 8.625 in. 406 mm x 359 mm x 219 mm
CS210G-TW3	Two 10TW3-D4	400W-800W	800W	Dual 2Ω	Sealed, with opposed drivers	State-of-the-art CNC construction, polymer grilles, JL Audio Built in USA embroidered logo, black high-grade automotive carpet	14.00 in. x 12.125 in. x 17.375 in. 356 mm x 308 mm x 441 mm
CS212G-TW3	Two 12TW3-D4	400W-800W	800W	Dual 2Ω	Sealed, with opposed drivers	State-of-the-art CNC construction, polymer grilles, JL Audio Built in USA embroidered logo, black high-grade automotive carpet	16.00 in. x 14.125 in. x 16.375 in. 406 mm x 359 mm x 416 mm

NOTE: Illustration may not be to scale.



©2014 JL Audio, Inc. • "JL Audio", "Ahead of the Curve" and the JL Audio logo are registered trademarks of JL Audio, Inc. Due to our policy of continuous product development, all specifications are subject to change without notice.

[www.jlaudio.com](http://www.jlaudio.com)

10369 North Commerce Parkway • Miramar, Florida • 33025 • USA

SKU#97210 12-2013  
Printed in U.S.A.